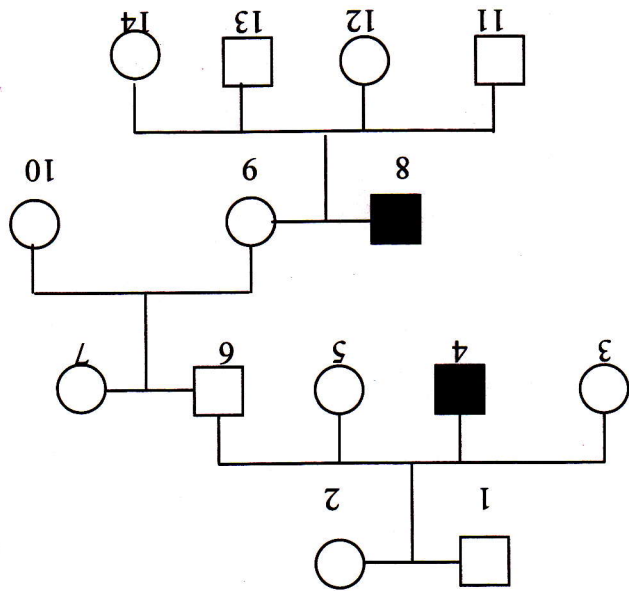
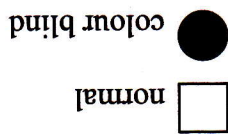


Pedigrees

Colour blindness is a recessive condition. Let C = normal vision, and, c = colour blindness. Normal vision is **dominant**.



- a) what is the genotype of individual 1? Cc or CC
- b) what is the genotype of individual 5? Cc or CC
- c) what type of inheritance does this condition represent? *dominant/recessive*
- d) what is the genotype of individual 12? Cc
- e) if individual 14 mates with a normal male, what is the probability of having:
 - i) a child with colour blindness? 0%
 - ii) a carrier for the trait. 50%

